

Working with Suntuf Corrugated Polycarbonate Sheets

Cleaning

Use a mild detergent and clean, warm water. Change the water regularly—too much grit and dirt can cause scratching. Use a soft rag or sponge, rinse with clean water, and blot dry. Never use abrasive kitchen cleansers, window-cleaning sprays, or solvents such as gasoline.

Cutting

For making straight cuts in sheets of more than 3 mm (0.12 in.) in thickness, use a circular saw or band saw. A medium-to-fine toothed blade (6-12 teeth per inch) works best. Expect a cutting speed of roughly 300-400 feet per minute. For thinner sheets, careful cutting with a band saw is possible, but sheers or a router may allow for greater precision. Hold the sheet down when cutting. Work the saw firmly but don't force it!

Drilling

Back up the sheet with scrap wood. Use a sharp steel drill bit, a slow speed, and a moderate amount of muscle. Too much pressure will cause the hole to chip out unevenly. Too much speed will draw the sheet up onto the threads of your drill bit.

Installation

Until you're ready to install, retain Suntuf Corrugated Polycarbonate Panels in their original package. Ideally, store them on a flat pallet in a dry, shaded place, and avoid extreme humidity, dust, or direct sunlight. During installation, do not stand or walk on sheets lacking adequate support. Verify that the UV-protected side of installed sheets are facing out to the sun.

Safety

- Wear gloves to help avoid splinters
- Treated wood should not be burned in open fires, stoves or fireplaces
- Avoid frequent or prolonged inhalation of sawdust from treated wood. Cut treated wood outdoors to avoid accumulation of airborne particles.
- Avoid ingesting treated wood sawdust. Wash exposed skin before eating, drinking or smoking.
- Launder clothes with treated wood sawdust before reuse. Wash work clothes separately from other clothes.
- Always wear safety goggles or glasses when using power tools.

Disclaimer:

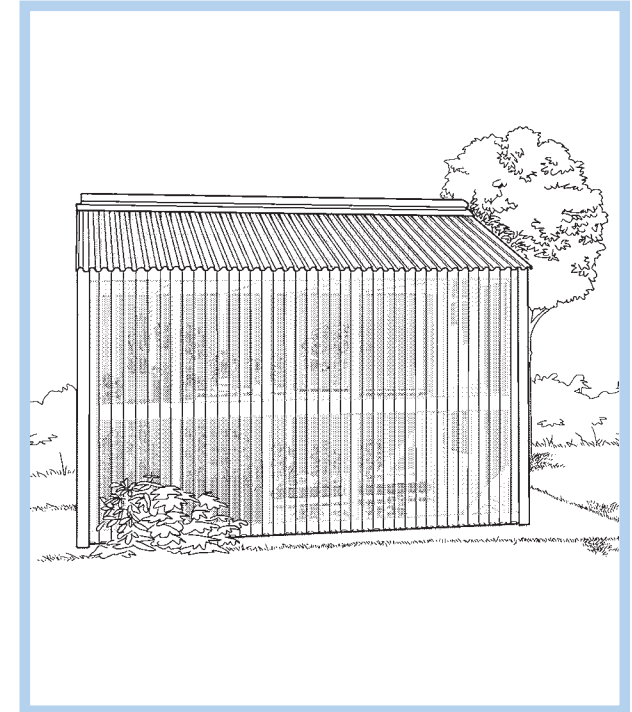
Building code requirements are not taken into consideration in the design of this structure. Nor are unique snow and wind load situations which are present in some areas. These details should be used only as a reference. Consult your municipality or township, regarding local building code requirements, before beginning construction.



PALRAM AMERICAS

9735 Commerce Circle, Kutztown, PA 19530
Phone: 610-285-9918 (Toll Free: 800-999-9459)
Fax: 610-285-9928
E-mail: PalramAmericas@palram.com
Web Site: www.PalramAmericas.com

Do-It-Yourself Project Build Your Own Garden Greenhouse



SUNTUF®

CORRUGATED
POLYCARBONATE
PANELS

MATERIALS LIST Weather Treated Lumber

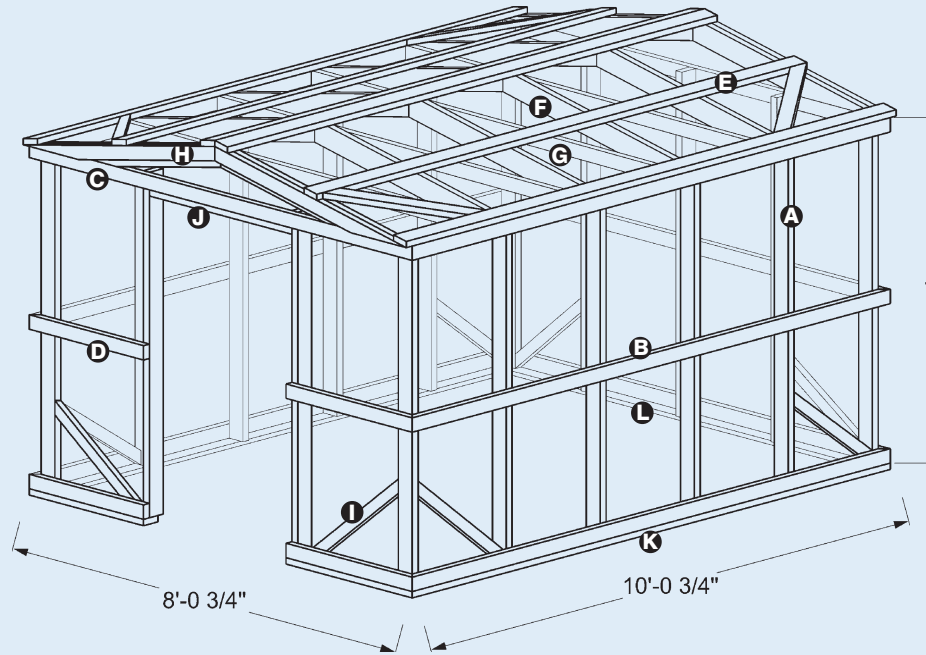
for 3/12 pitch Greenhouse

Quantity	Description	Use
16 each	26" x 8' Suntuf Clear Corrugated Panels	Refer to Suntuf Literature #403-203
5 each	26" x 12' Suntuf Clear Corrugated Panels	Refer to Suntuf Literature #403-203
2 each	4'-2" Suntuf Clear Ridge Cap	Refer to Suntuf Literature #403-203
7 boxes	2" WoodTite fasteners	Refer to Suntuf Literature #403-203
16 bags	36" Foam Closures	Refer to Suntuf Literature #403-203
8 each	6' Universal Wood Closures	Refer to Suntuf Literature #403-203
17 pcs.	7'- 2x4	Studs A Vertical Wall Supports
6 pcs.	10'-0 3/4" 2x4 w/ miter cut corners	Wall Girts E Horizontal Panel Supports
4 pcs.	8'-0 3/4" 2x4 w/ miter cut corners	Wall Girts C Horizontal Panel Supports
4 pcs.	2'-6" 2x4 w/ miter cut corners	Wall Girts D Horizontal Panel Supports
6 pcs.	10'-0 3/4" 2x4	Roof Purlins E
12 pcs.	4'-1 7/8" 2x6 w/ notch	Rafter F
6 pcs.	8'-0 3/4" 2x4	Ceiling Joist G
4 pcs.*	4'-0" 2x4	Attach to Rafter H of Gable End Trusses
12 pcs.**	2'-6" 2x4	45° Angle Brace for use at Each Corner I
1 pcs.	3'-0" 2x4	Top Door Jamb J
2 pcs.***	10'-0 3/4" 2x4 pressure treated	Base Of Structure K
2 pcs.***	8'-0 3/4" 2x4 pressure treated	Base Of Structure L
1 each	3' x 6'8" door	Combo Screen/Storm
9 lbs.	16d nails	fastening wooden members

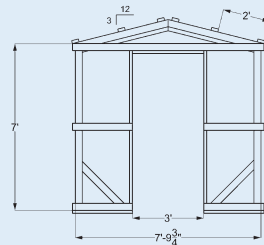
*These 2x4s should be nailed onto the outside of the rafter. This is needed only on the rafters located at the ends of the greenhouse. This will provide the surface for the wall panels to fasten to at the gable.

**45° Angle Braces are needed at each corner of the building, sidewalls and endwalls. This bracing should also be installed in the lower corners of the roof as well.

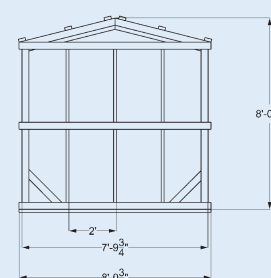
***Base of structure will need to be anchored in accordance to local building codes.



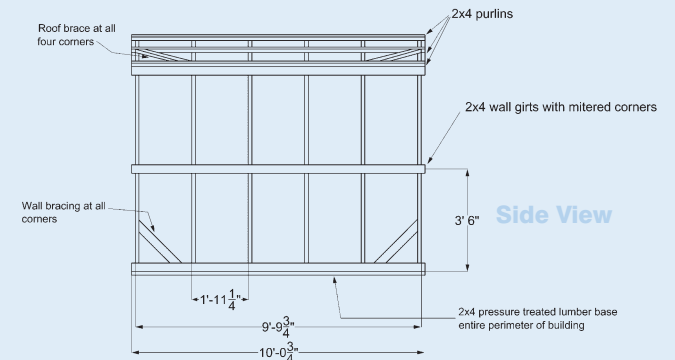
- Store Panels in a Dry, Shaded Area prior to use
- Level the ground - establish a foundation of choice (check local building codes)
- Lay out framing lumber for the four walls
- Build the walls laying flat
- Upright the walls and connect 2x4 Wall Girts at corners
- Place Ceiling Joists from side to side
- Fill in Rafters
- Add Purlins
- Check all connections before attaching Suntuf Panels
- Install Suntuf Panels (see Suntuf Literature #403-203 for detailed instructions)
- Install Door
- Enjoy your new GreenHouse for years to come



Front View



Back View



Side View

Note: For best results in your geographic area, ventilation may need to be considered. If a painted or stained frame is desired, complete painting before installing Suntuf Corrugated Polycarbonate Panels (1 gallon required).

TOOLS

